



Tulip

The collection
technical data



Bathtub BTP01-R-PC Dual finish
Cube Bench STC14FS-M-5

Tulip the collection

Design: Joël Dupras and WETSTYLE Design Lab **Keyword:** Freshness

The highly archetypal TULIP bathtub carries a classic form into the second millennium, keeping the best of both worlds.

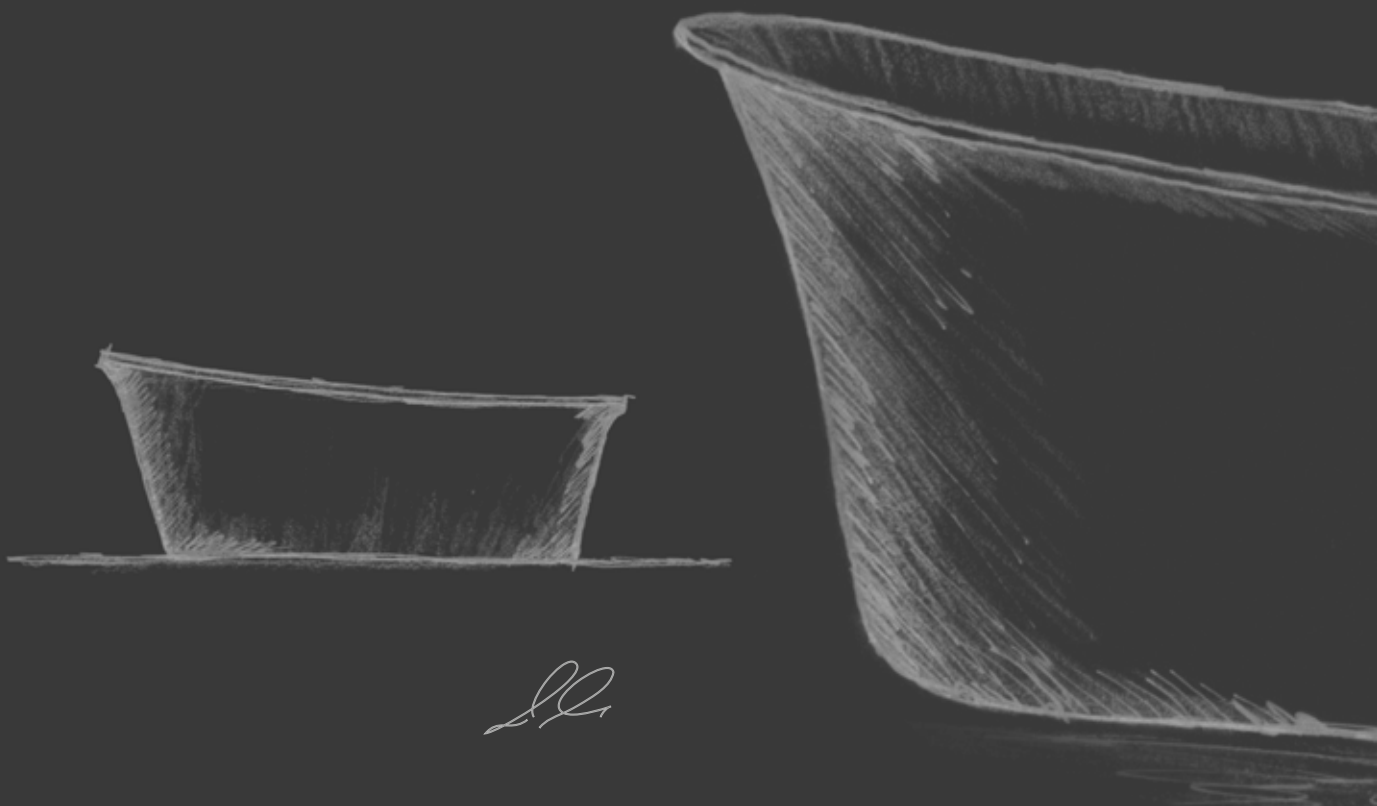
This journey celebrates the sensuality of spring as the first blooms burst forth from the ground, their silky petals unfurling into delicately curved tips.

Organic in inspiration, the flawlessly smooth volume shoots up into two distinct angles at each end, one rising slightly above. Opening like a tulip, an exquisite curve crowns the tub, inviting the body to become one with the form.

In True High Gloss™ and matte versions, the TULIP lets bathers luxuriate in a celebration of nature.

Also available in a new Dual finish
(True High Gloss™ interior and rim and matte exterior)

Made of





Vessel Sink VTP821A Matte



Bathtub BTP01-R-PC Dual finish

material
 WETMAR BiO™, True High Gloss™,
 Matte or Dual* finish

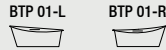
*Dual finish: True High Gloss™
 interior and rim and matte exterior

color
 white

codes/standards applicable
 IAPMO-ANSI Z124.1
 IAPMO-ANSI Z124.3
 CSA B 45.0 – CSA B45.4

BTP 01

inch 64.8125 x 34 x 20 / 25 mm 1646 x 863 x 509 / 635



interior dimensions

rim: inch 62.3125 x 30.8125 mm 1582 x 782
 base: inch 42.875 x 23 mm 1089 x 584
 height: inch 16.25 / 21.5 mm 413 / 546

capacity to overflow
 gal (us) - 68 liters - 260

weight
 lb - 165 kg - 75

installation
 freestanding

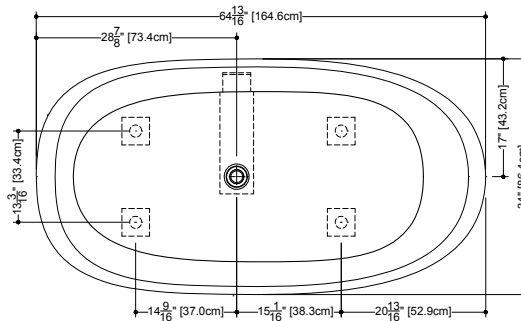
overflow and drain connection
 WETSTYLE Plug & Bathe™ system
 (ABS or copper/brass)

overflow
 built-in
 slot design
 polished chrome or brushed nickel

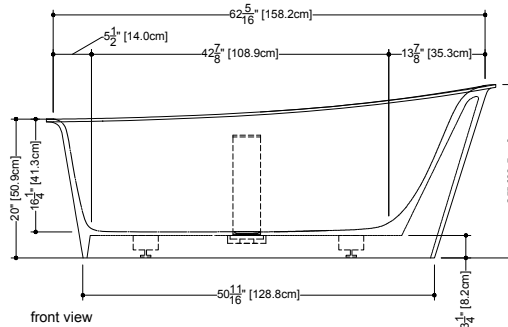
drain
 soft toe touch
 polished chrome or brushed nickel

waste and overflow kit
 included

codes/standards applicable
 IAPMO-ANSI Z124.1 – IAPMO-ANSI Z124.3
 CSA B 45.0 – CSA B45.4



plan view

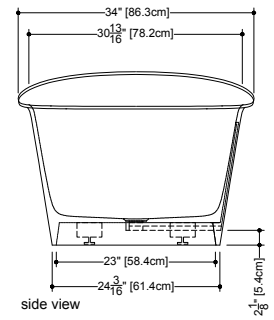


front view

faucet area recommended
 wall-mounted or floor-mounted

WETSTYLE Plug & Bathe™ overflow and drain connection system includes:

- Soft-touch pop-up drain, for built-in overflow. Fits both 1-1/2" ABS drain waste and 1-1/2" tubular brass
- 1-1/2" ABS Direct vertical drain waste fitting (copper/brass option also available)
- 1-1/2" ABS 90° Elbow drain waste fitting (copper/brass option also available)



side view

WETSTYLE cannot be held responsible for any technical errors and reserves the right to make revisions without notice.

Approximate measurement.
The manufacturer accepts $\frac{1}{4}$ " (6.35mm) variance.

VTP 821A

inch 20 $\frac{15}{16}$ x 15 $\frac{1}{8}$ x 4 $\frac{1}{2}$ /₆ mm 532 x 384 x 114/153

■ interior dimensions

inch 18 $\frac{15}{16}$ x 13 $\frac{1}{6}$ x 3 $\frac{7}{8}$ mm 482 x 332 x 99

■ weight

lb - 12 kg - 5

■ installation

above counter

■ accessory

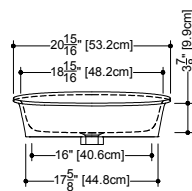
nil

■ overflow

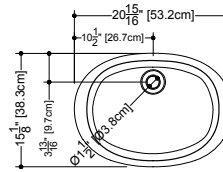
without overflow: VTP 821A
built-in overflow/slot design: VTP 821A-O
polished chrome or brushed nickel

■ faucet hole

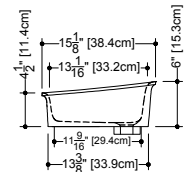
no hole for faucet



front view



plan view



side view



www.WETSTYLE.CA - Montreal - Canada
Tel. 450.536.9000 - 1 888.536.9001 - Fax. 450.536.0202

R. 12/12__PRINTED IN CANADA__ Copyright 2012, WET Manufacturing Inc. Cube, Ove, Flo, Be, Frame, Couture, Tulip collections and word marks, COL-DEC, COL-WALL, WETMAR, True High Gloss, The Purest Form of Luxury and WETSTYLE are trademarks of WET Manufacturing Inc. Certain designs depicted in this brochure are the subject of registered or pending Canadian Industrial Designs and US Design Patents owned by WET Manufacturing Inc.