



Couture

The collection
technical data



Bathtub
BCR01-R-PC True High Gloss™

Couture the collection

Design: Patrick Messier **Keyword:** Refinement

Dipping one's foot into this tub is like slipping into the folds of haute couture design. The COUTURE collection induces the bather to immerse willingly in a graceful design dedicated entirely to sensual pleasure.

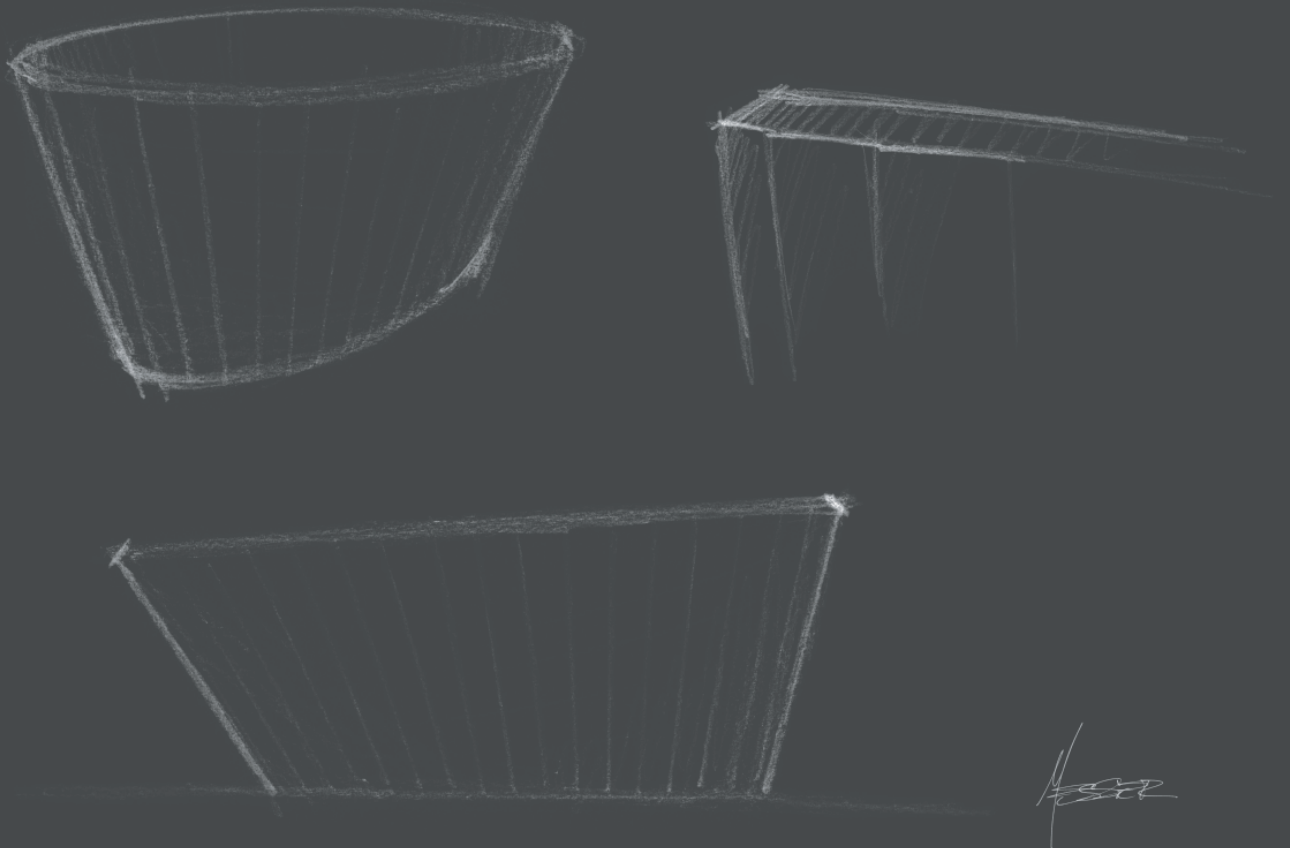
The bathtub and vessel sink draw their inspiration from the fluted perfection of the seashells that dot the ocean floor. The shape, a splendidly smooth interior and a gently faceted exterior, is modernity made material. In this delicate origami, the comfort of the seated position is rivalled only by that of the more pronounced slope.

The innovative spirit of this asymmetrical concept rests on classic foundations that will ensure its timelessness.

Available in True High Gloss™ or matte finish and in a new Dual finish (True High Gloss™ interior and rim and matte exterior)

Limited edition: 2,000 units to be produced.

Made of





Vessel sink
VCR821A Matte



Couture Collection
Winner
2012 Good Design Awards *

* As awarded by The Chicago Athenaeum:
Museum of Architecture and Design



Bathtub BCR01-L-PC True High Gloss™
Frame Standard Vanity FRS48WMB-WWG16WH51
Cube Lavatory VCS48-0-1-G
Frame Mirrored Cabinet FR48ME-W16WH-XY

material
 WETMAR BiO™, True High Gloss™,
 Matte or Dual* finish

*Dual finish: True High Gloss™
 interior and rim and matte exterior

color
 white

codes/standards applicable
 IAPMO-ANSI Z124.1
 IAPMO-ANSI Z124.3
 CSA B 45.0 – CSA B45.4

BCR 01

inch 65.5 x 33.75 x 22 / 25.875 mm 1664 x 858 x 559 / 658

BCR 01-L



BCR 01-R



interior dimensions

rim: inch 63.875 x 32.125 mm 1623 x 816
 base: inch 45 x 21.625 mm 1143 x 549
 height: inch 18 / 21.875 mm 457 / 556

capacity to overflow
 gal (us) - 79 liters - 300

weight
 lb - 179 kg - 81

installation
 freestanding

overflow and drain connection
 WETSTYLE Plug & Bathe™ system
 (ABS or copper/brass)

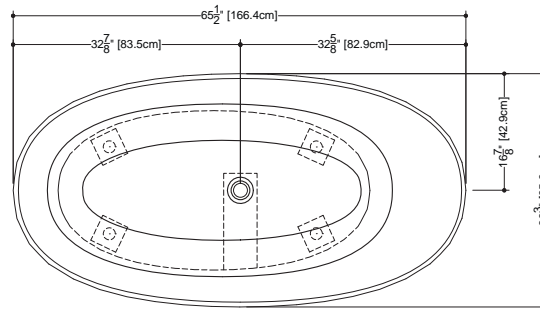
overflow
 built-in
 slot design
 polished chrome or brushed nickel

drain
 soft toe touch
 polished chrome or brushed nickel

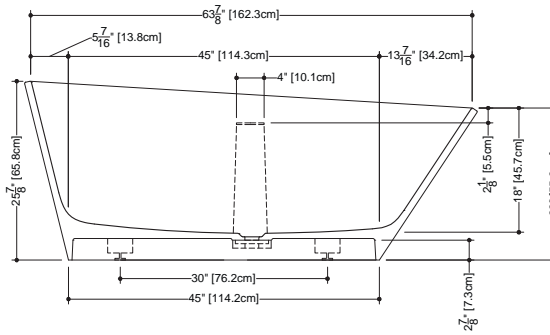
waste and overflow kit
 included

faucet area recommended
 wall-mounted or floor-mounted

codes/standards applicable
 IAPMO-ANSI Z124.1 – IAPMO-ANSI Z124.3
 CSA B 45.0 – CSA B45.4



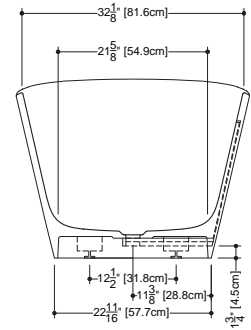
plan view



front view

WETSTYLE Plug & Bathe™ overflow and drain connection system includes:

- Soft-touch pop-up drain, for built-in overflow. Fits both 1-1/2" ABS drain waste and 1-1/2" tubular brass
- 1-1/2" ABS Direct vertical drain waste fitting (copper/brass option also available)
- 1-1/2" ABS 90° Elbow drain waste fitting (copper/brass option also available)



side view

WETSTYLE cannot be held responsible for any technical errors and reserves the right to make revisions without notice.

Approximate measurement.
The manufacturer accepts 1/4" (6.35mm) variance.

VCR 821A

inch 21 x 15 x 5 mm 533 x 381 x 107

interior dimensions

inch 19 5/8 x 13 5/16 x 4 3/16 mm 499 x 339 x 107

weight

lb - 12 kg - 5

installation

above counter

accessory

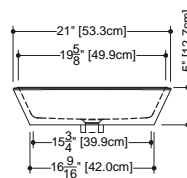
nil

overflow

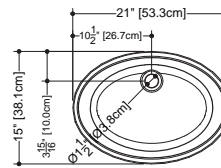
without overflow: VCR 821A
built-in overflow/slot design: VCR 821A-O
polished chrome or brushed nickel

faucet hole

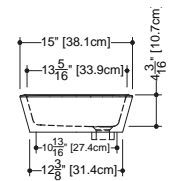
no hole for faucet



front view



plan view



side view



www.WETSTYLE.CA - Montreal - Canada
Tel. 450.536.9000 - 1 888.536.9001 - Fax. 450.536.0202

R12/12__PRINTED IN CANADA__ Copyright 2012, WET Manufacturing Inc. Cube, Ove, Flo, Be, Frame, Couture, Tulip collections and word marks, COL-DEC, COL-WALL, WETMAR, True High Gloss, The Purest Form of Luxury and WETSTYLE are trademarks of WET Manufacturing Inc. Certain designs depicted in this brochure are the subject of registered or pending Canadian Industrial Designs and US Design Patents owned by WET Manufacturing Inc.