



Accessory

Shower Bench and wall-mounted seat
technical data



STC14FS-M-5

Cube Bench

■ **model** STC14FS

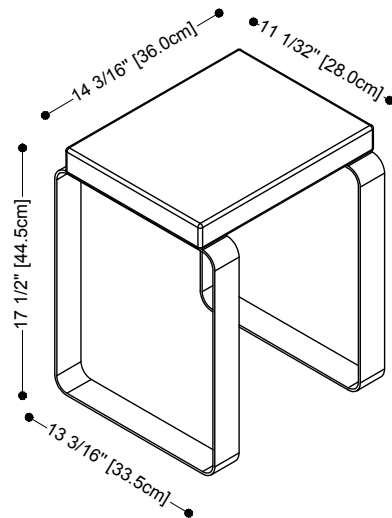
dimensions:
inch 14 3/16" length x 13" depth x 17 1/2" height
cm 36 x 33 x 44.5

■ **Installation**
freestanding

■ **Water-resistant**

■ **Material finish**
base: Stainless Steel, Mirror (M) or Brushed (B)
seat: Soft Polyurethane Foam, White (5)

■ **Weight**
lb - 17.6 kg - 8





STC14WM-M-5, open



STC14WM-M-5, closed

Cube Wall-mounted Seat

model STC14WM

dimensions:
inch 14 3/16" length x 13" depth x 1 7/8" height
cm 36 x 33 x 4.7

Installation

wall-mounted (requires wall reinforcement)

Water-resistant

Weight rating

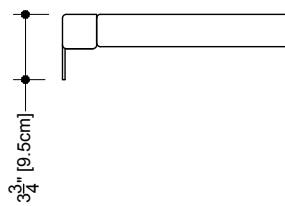
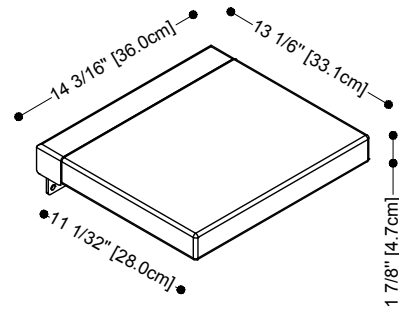
supports up to 285 lb - 130 kg

Material finish

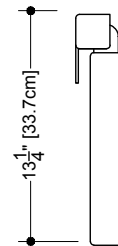
base: Stainless Steel, Mirror (M) or Brushed (B)
seat: Soft Polyurethane Foam, White (5)

Weight

lb - 12.3 kg - 5.6



side view, open



side view, closed



STO15WM-M-5, open



STO15WM-M-5, closed

Ove Wall-mounted Seat

Model STO15WM

dimensions:
inch 15 5/8" length x 13 5/16" depth x 2 1/4" height
cm 39.7 x 33.8 x 5.7

Installation

wall-mounted (requires wall reinforcement)

Water-resistant

Weight rating

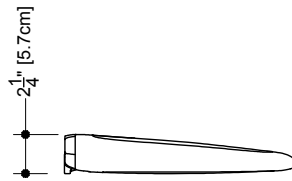
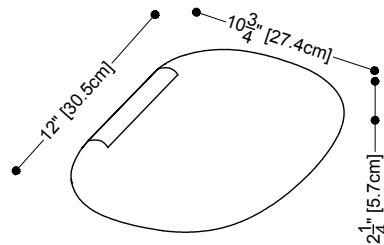
supports up to 285 lb - 130 kg

Material finish

base: Casted Aluminium, Mirror (M)
seat: Soft Polyurethane Foam, White (5)

Weight

lb - 6.6 kg - 3



side view, open



side view, closed

WETSTYLE cannot be held responsible for any technical errors and reserves the right to make revisions without notice.
Approximate measurement. The manufacturer accepts 1/4" (6.35mm) variance.



www.WETSTYLE.CA - Montreal - Canada
Tel. 450.536.9000 - 1 888.536.9001 - Fax. 450.536.0202