



By Appointment to
Her Majesty Queen Elizabeth II
Manufacturer of Kitchen & Bathroom Taps & Mixers
Barber Wilsons & Co. Ltd.

BARBER WILSONS & Co LTD

Three hole Basin mixers



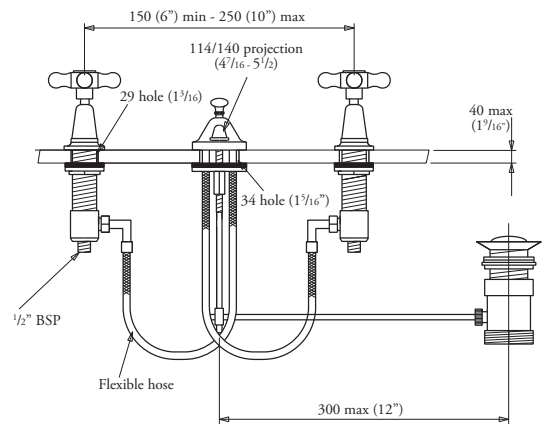


6450
GA style shown
 3-hole basin mixer with pop-up waste, 115mm nozzle.

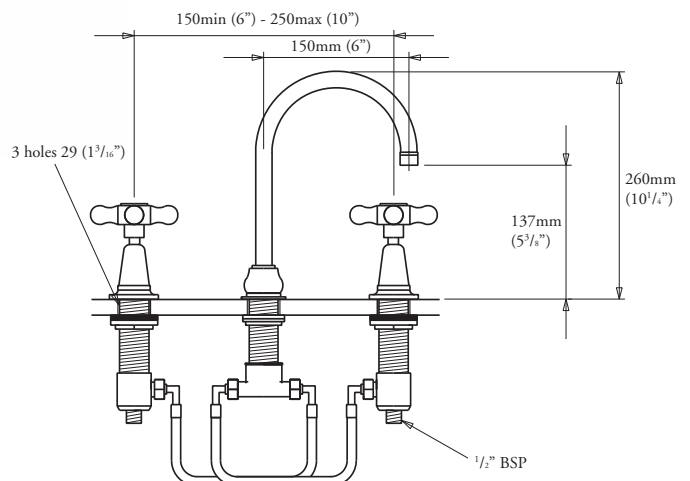
6455 As above but 140mm nozzle.

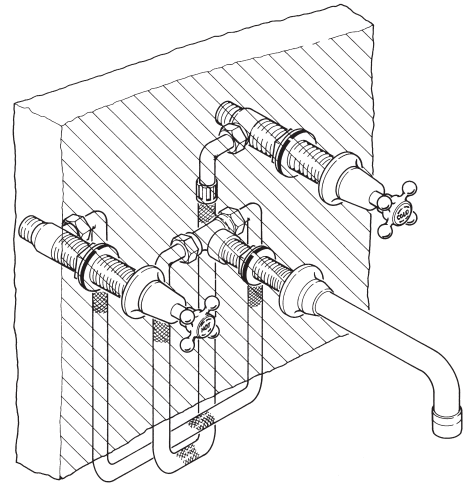
6451, 6456
 With plug and chain waste and chain boss on nose.

6452, 6457 With plug and chain waste and chain stay.



6453
GA style shown
 3-hole basin mixer with swivel swanneck filler.

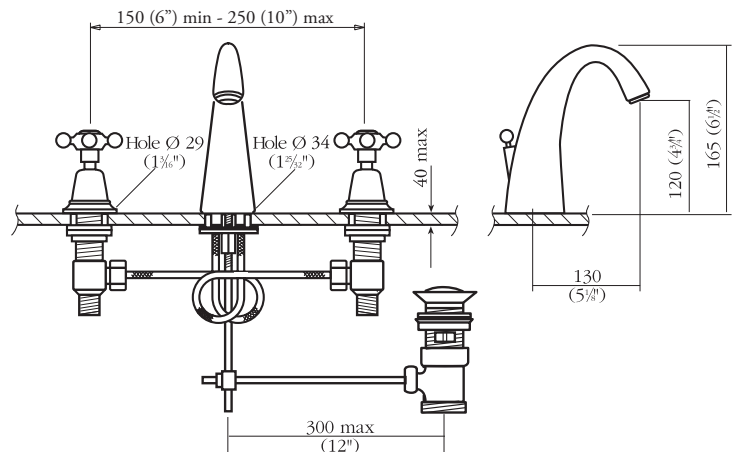




6454
 GA style shown
 Wall mounted nozzle with valves. Waste not included.



6459
 Regent style shown
 3-hole basin mixer with pop-up waste and swan-neck filler.





Traditional taps in four styles



GA with china lever handles (GFC)



Regent with china lever handles (RFC)



1890's (GA)



Regent (R)

Barber Wilsons taps are available in five styles:

- The **1890s (GA)** range have the original exposed top works.
- The **Regent (R)** range with 'easy-clean' shrouded head parts.
- The **GFC** prefix denotes the 1890s GA style but with lever handles.
- **RFC** denotes the R style but with lever handles.

Cross-headed styles are available with either traditional compression internal mechanisms with washers, or modern $\frac{3}{4}$ turn ceramic discs (suitable for high pressure applications only <1 bar).

If your preference is for ceramic discs please add the suffix CD to the part number when ordering. For example a GA 2134 with ceramic discs is a GCD 2134.



barwil.co.uk

Barber Wilsons & Co Ltd
Crawley Road, Wood Green,
London N22 6AH

Tel: +44 (0)208 888 3461
Fax: +44 (0)208 888 2041
Email: sales@barwil.co.uk

