



By Appointment to
Her Majesty Queen Elizabeth II
Manufacturer of Kitchen & Bathroom Taps & Mixers
Barber Wilsons & Co. Ltd.

BARBER WILSONS & Co LTD

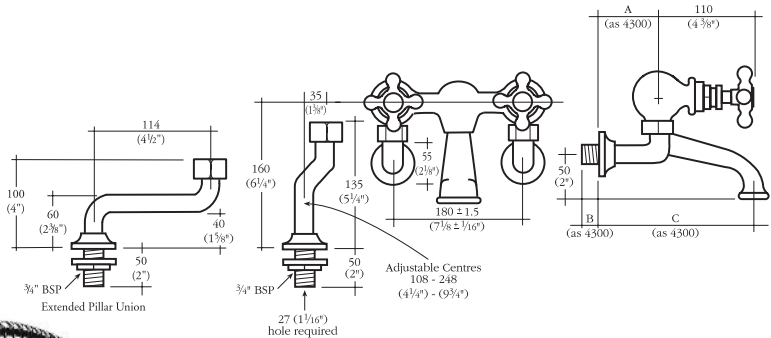
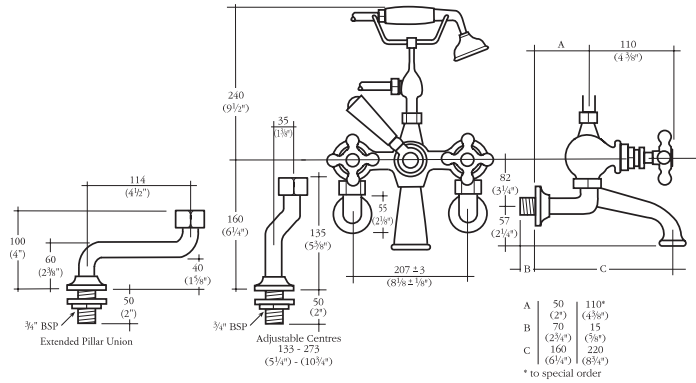
Exposed





3308 (GA shown. Also available as R, GCD & RCD)
Bath filler with wall unions.

3300
As above but for rim mounting.



4300
Bath/spray mixer for bath rim mounting. Incorporates single check valve to comply with Water Byelaws.

4308
As above but with unions for wall fixing.

Note: Due to the traditional shape of this mixer a short interval must be allowed for draining down purposes after turning the taps to the off position.

4309RT

Bath/spray mixer with 1" (25mm) floor standards and bracing kit and 3400T waste.

4310RT

Bath/spray mixer with 2" (50mm) floor standards and bracing kit and 3400T waste.

4311RT

Bath/spray mixer with 2" (50mm) floor standards and bracing kit and 3400EXP waste.

4312RT

Bath/spray mixer with 1" (25mm) floor standards and bracing kit and 3400EXP waste.

TT3400T

Bath waste, overflow to trap and 42mm tube.

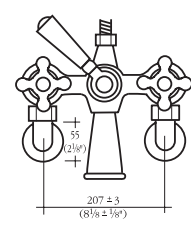
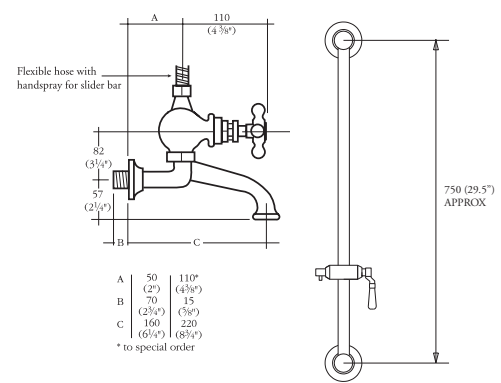
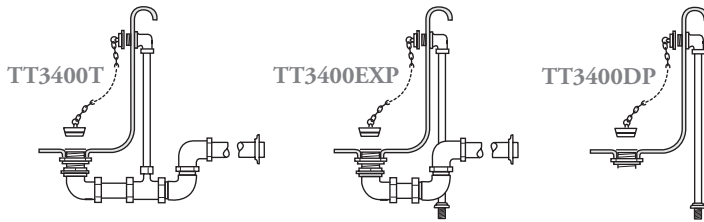
TT3400EXP

Bath waste, overflow to flow, trap and 42mm tube.

TT3400DP

Bath waste, overflow to floor.

Note: The above assemblies are available with bath fillers to replace the bath/spray mixers and are then designated 3309-3312.

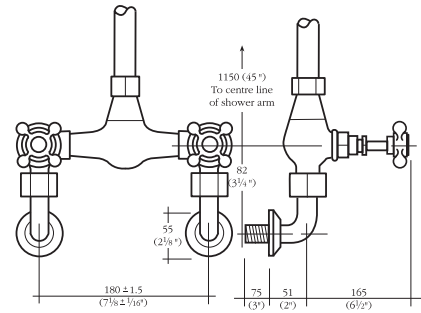


4306

Bath/spray mixer with slider bar. Wall mounting. Incorporates single check valve to comply with water byelaws.

4305

As above but for deck mounting. Incorporates single check valve to comply with water byelaws.



4302
Bath/shower mixer. Wall mounting.

4301
As above but for deck mounting.

Above items are supplied with 17 1/2" (450mm) shower arm and 5" rose.

Note: For alternative size shower arms and roses, please refer to page 18 of main price list.

Traditional taps in four styles



GA with china lever handles (GFC)



Regent with china lever handles (RFC)



1890's (GA)



Regent (R)



Mastercraft (MC)

Barber Wilsons taps are available in five styles:

- The **1890s (GA)** range have the original exposed top works.
- The **Regent (R)** range with 'easy-clean' shrouded head parts.
- The **Mastercraft (MC)** range is based on our original 1930s Art Deco theme of hexagonal capstans, shrouds and spouts.
- The **GFC** prefix denotes the 1890s GA style but with lever handles.
- **RFC** denotes the R style but with lever handles.

Cross-headed styles are available with either traditional compression internal mechanisms with washers, or modern 3/4 turn ceramic discs (suitable for high pressure applications only <1 bar). If your preference is for ceramic discs please add the suffix CD to the part number when ordering. For example a GA 2134 with ceramic discs is a GCD 2134. Not available with Mastercraft.



barwil.co.uk

Barber Wilsons & Co Ltd
Crawley Road, Wood Green,
London N22 6AH

Tel: +44 (0)208 888 3461
Fax: +44 (0)208 888 2041
Email: sales@barwil.co.uk

